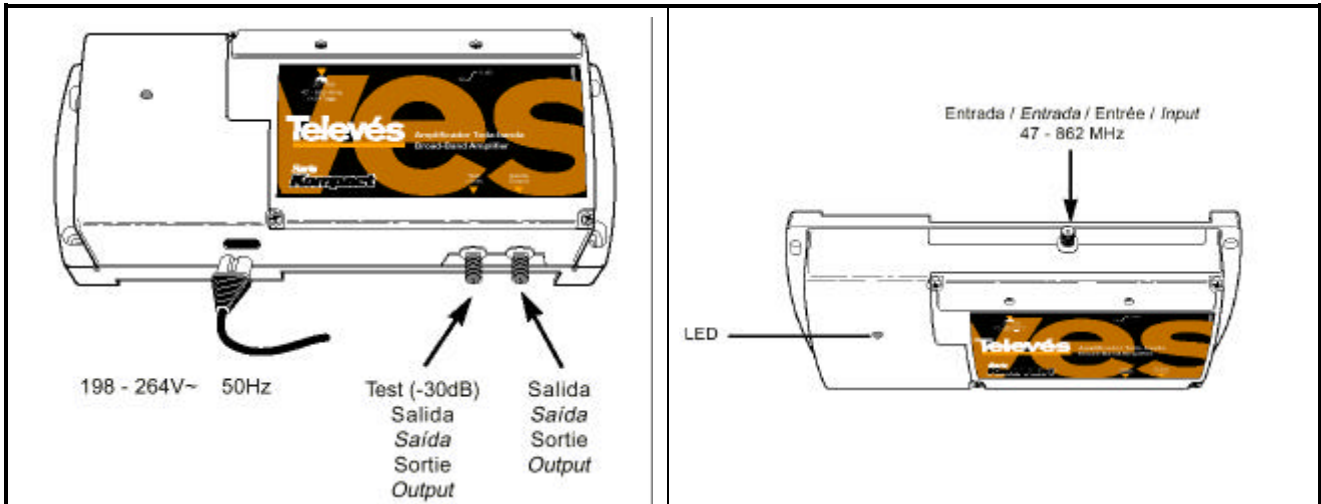


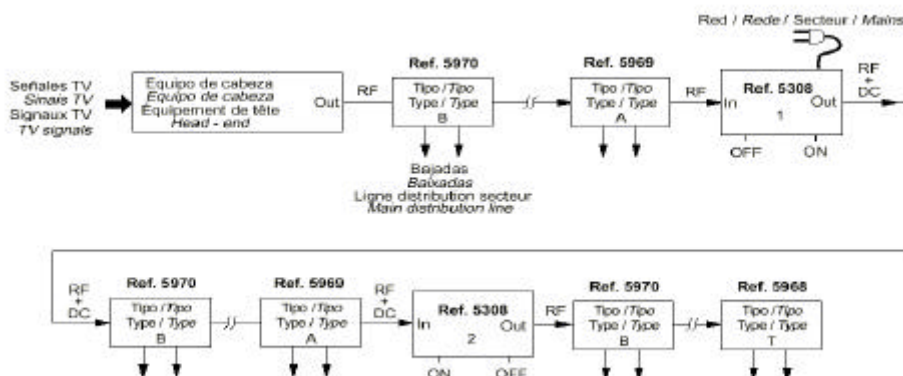
KOMPACT SERIES REF. 5308

- MATV APPLICATIONS
- LINE AMPLIFIER
- VARIABLE EQUALIZER AT THE INPUT
- VARIABLE ATTENUATOR
- IT CAN POWER OR BE POWERED THROUGH THE COAXIAL WITH DC CURRENT



Reference	Description	Powering	Hybrid Technology	Inputs
5308	MATV	Local (230 V _{AC})	No	1 (V/U)

Reference		5308
Frequency range	(MHz)	47-862
Attenuator	(dB)	0-20
Equaliser	(dB)	0-18
Gain	(dB)	35-45
Max. output level (DIN 45004B)	(dB μ V)	120
2 nd order distortion (105 dB μ V)	(dB)	- 60
Max. output level 42 TV CH CENELEC	(dB μ V)	88
Noise figure	(dB)	7
Flatness	(dB)	
Powering voltage	(V _{AC})	230
Max. power consumption	(W)	14
In-out Return losses	(dB)	> 10
Max. current bypass	(mA)	250 =
Power consumption (24 V _{DC})	(mA)	220
Number of powered amplifiers		1 (250 mA)



Ref. 5968, 5969 and 5970 are the reference numbers for the distribution taps.